

## 500W-12V/24V LED Waterproof Power Supply(C&V)

- Protections: short circuit/over load/over voltage/over temperature
- IP67 design for indoor or outdoor installation
- It can be used in dry, wet and rainy environment
- Cooling by free air, high reliability
- 100% full load burn-in test
- Suitable for internal lights application for I / II / III.
- Widely used in LED lighting and IT equipment
- Compliance to worldwide safety regulation for led lightings.



SELV

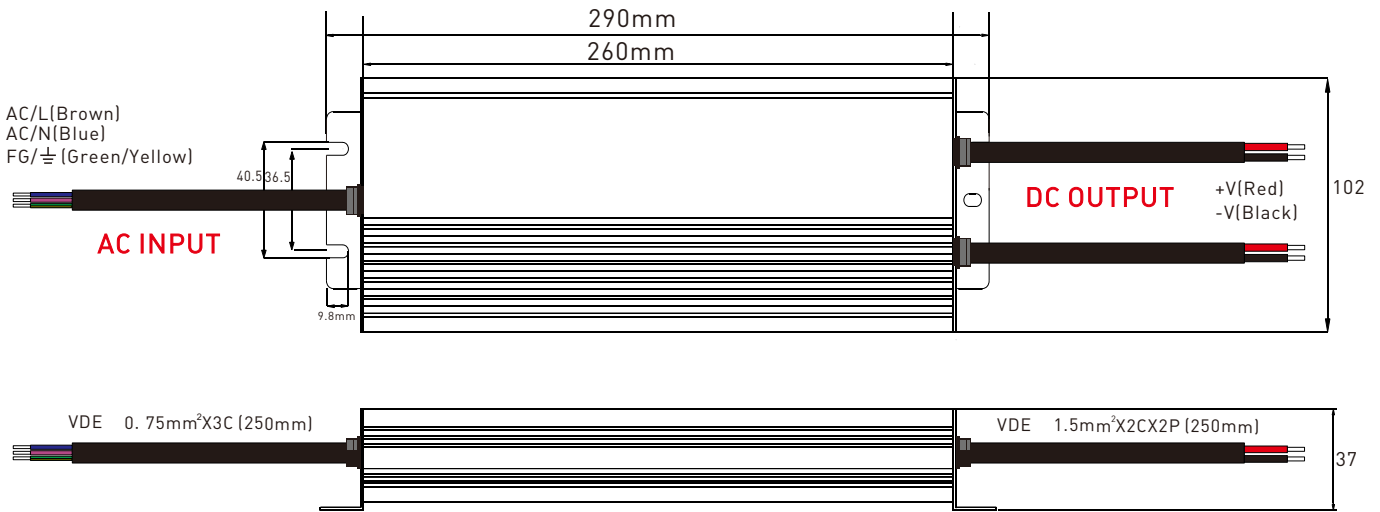
IP67



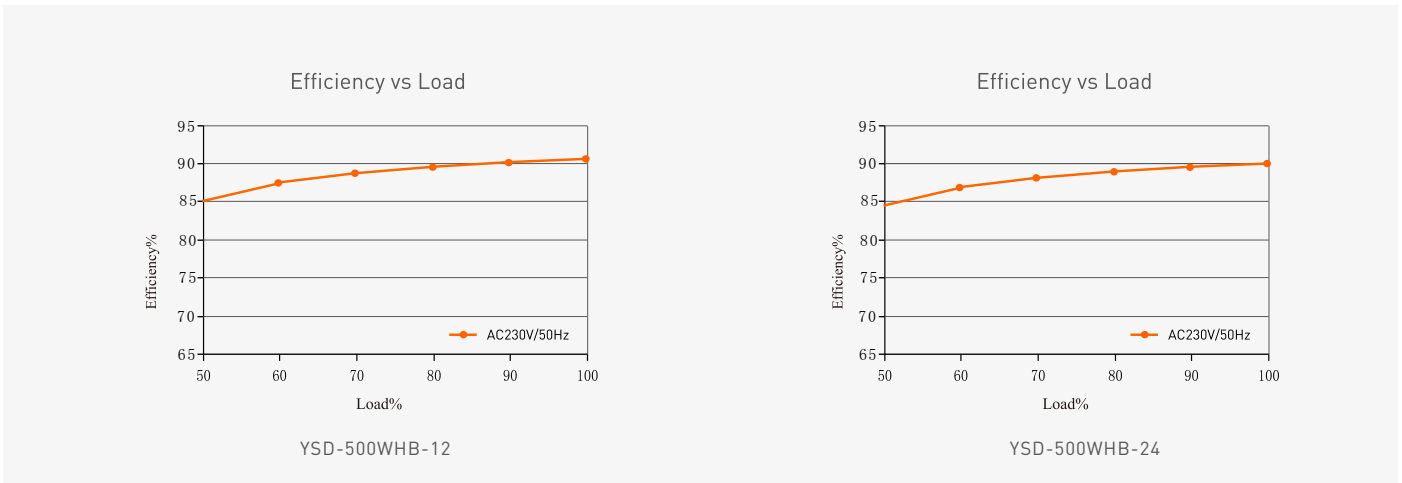
### Specification

| Model                           | YSD-500WHB-12  |   | YSD-500WHB-24 |  |
|---------------------------------|--|---|---------------|--|
| OUTPUT                          | Output voltage   | 12VDC   | 24VDC         |  |
|                                 | Output voltage range   | 12VDC±0.5VDC  | 24VDC±0.5VDC  |  |
|                                 | Output current   | Max 41.7A   | Max 20.8A     |  |
|                                 | Output power   | Max 500W  |               |  |
|                                 | Output power range   | 0~500W  |               |  |
|                                 | Ripple & Noise   | ≤120mV  | ≤240mV        |  |
|                                 | Linear Regulation  | ±1%   |               |  |
|                                 | Load Regulation  | ±1%   |               |  |
|                                 | Start-up Time (Typ)  | 450ms/230VAC 500ms/115VAC   |               |  |
|                                 | Hold Up Time(Typ)  | 200ms/230VAC 200ms/115VAC   |               |  |
| INPUT                           | Input voltage  | 175-264Vac or 100-130Vac  |               |  |
|                                 | Frequency  | 50/60Hz   |               |  |
|                                 | Input current  | 4.2A/230Vac or 7.5A/115Vac  |               |  |
|                                 | Power factor   | PF>0.6  |               |  |
|                                 | No-load power consumption  | < 3W  |               |  |
|                                 | Efficiency (typ.)  | 91%   | 90%           |  |
|                                 | Inrush current(typ.)   | Cold start 70A at 230Vac  |               |  |
|                                 | Control surge capability   | L,N:2KV L,N-PE:4KV  |               |  |
|                                 | Leakage current  | Max. 0.5mA  |               |  |
| ENVIRONMENT                     | Working temperature  | ta: -30°C~ 50°C tc: 80°C  |               |  |
|                                 | Working humidity   | 20 ~ 99%RH, condensing(Waterproof)  |               |  |
|                                 | Storage temp., humidity  | -40°C ~ 80°C, 10~95%RH  |               |  |
| PROTECTION                      | Overtemperature  | Protection type: Turn off the output voltage, after the temperature drops, re-energize to restore.                              |               |  |
|                                 | Over load protection   | Shut down the output when current load ≥110%~150%, auto recovers.   |               |  |
|                                 | Short circuit protection   | Protection type: It can be automatically restored after the fault is eliminated.  |               |  |
| SAFETY & EMC                    | Withstand voltage  | I/P-O/P:3750Vac   |               |  |
|                                 | Isolation resistance   | I/P-O/P: 100MΩ/500VDC/25°C/70%RH  |               |  |
|                                 | Safety standards   | IEC/EN61347;IEC/EN60950;IP67  |               |  |
|                                 | EMC Test Standards   | EN55015: 2013;EN61547: 2009; EN61000-3-2:2014; EN61000-3-3:2013   |               |  |
| Reliability and Quality Control | Impact aging   | 100% of the product is fully loaded and impacted for 4 hours under an environment of at least 40°C±5°C                          |               |  |
|                                 | Component derating   | Under the steady-state conditions of rated input and output, the stress of components will not exceed its maximum nominal value |               |  |
| NOTE                            | 1. All parameters not specifically mentioned are measured at 230VAC input, rated load and 25°C ambient temperature.<br>2. Ripple and noise test method: connect 0.1uF and 47uF capacitors in parallel at the terminal, and measure under 20MHZ bandwidth.<br>3. Ensure that the power supply is used under the rated parameters and environment. |   |               |  |

**Dimensions**  
Unit:mm

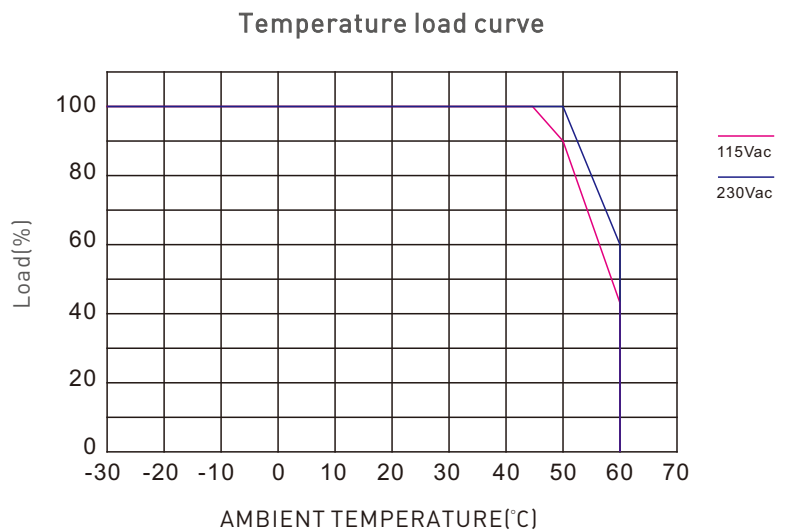


**Relationship diagrams**



**Packaging Information**

|                 |                      |
|-----------------|----------------------|
| DIMENSION       | 290x102x37mm(LxWxH)  |
| PACKING         | 335x122x52mm(LxWxH)  |
| CARTON QUANTITY | 10PCS                |
| CARTON SIZE     | 565x350x145mm(LxWxH) |
| WEIGHT          | 2180g±10g/PCS        |



\* No further notice if any changes in the manual. Product function depends on the goods. Please feel free to contact your supplier if any question. [www.szsysdwps.com](http://www.szsysdwps.com)